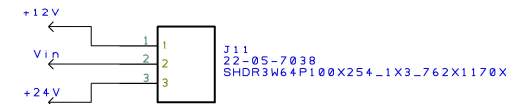
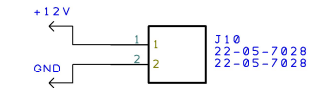
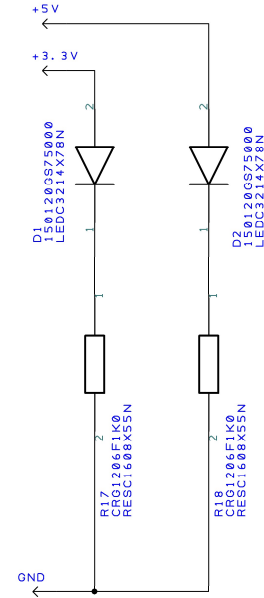
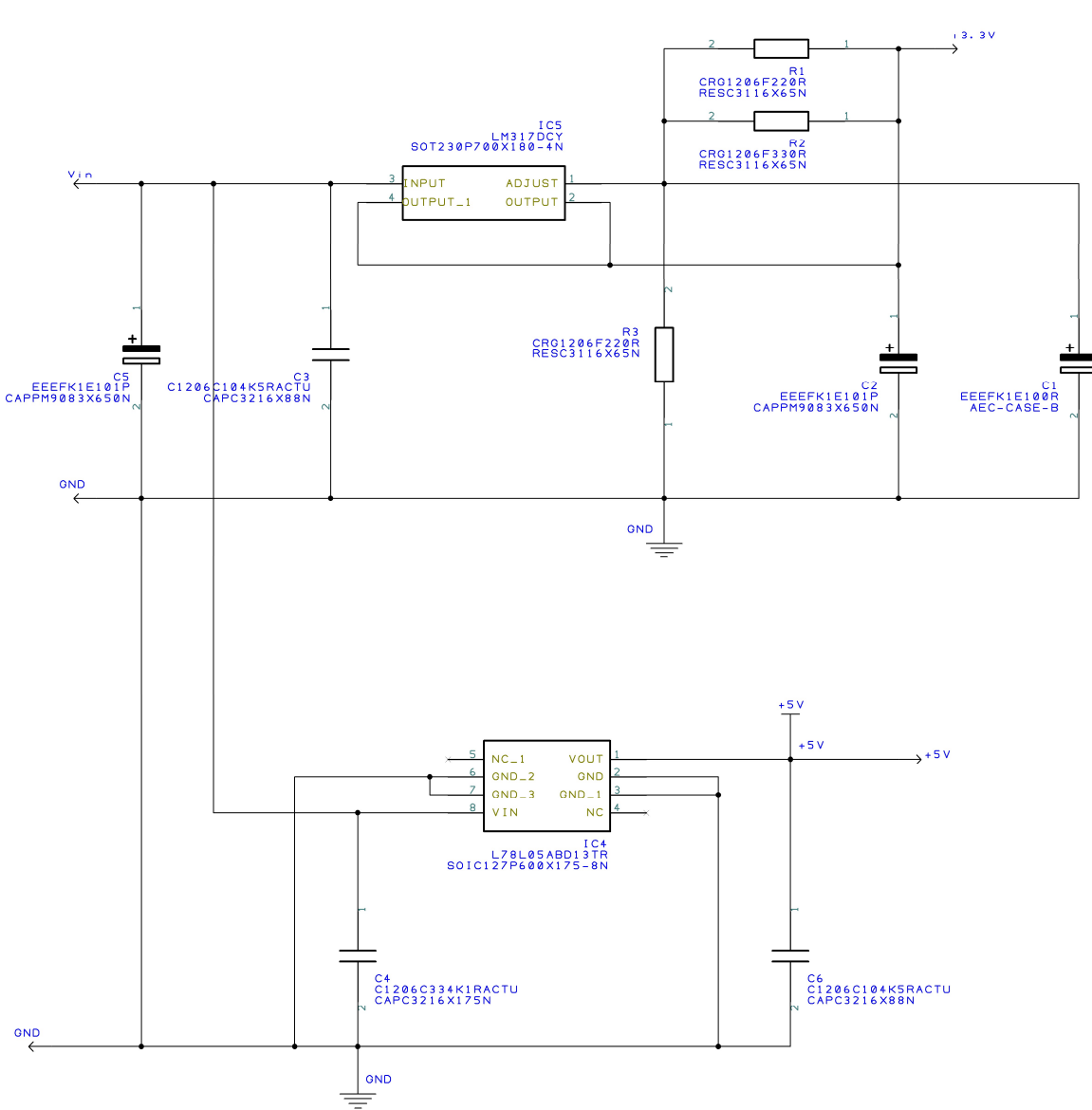
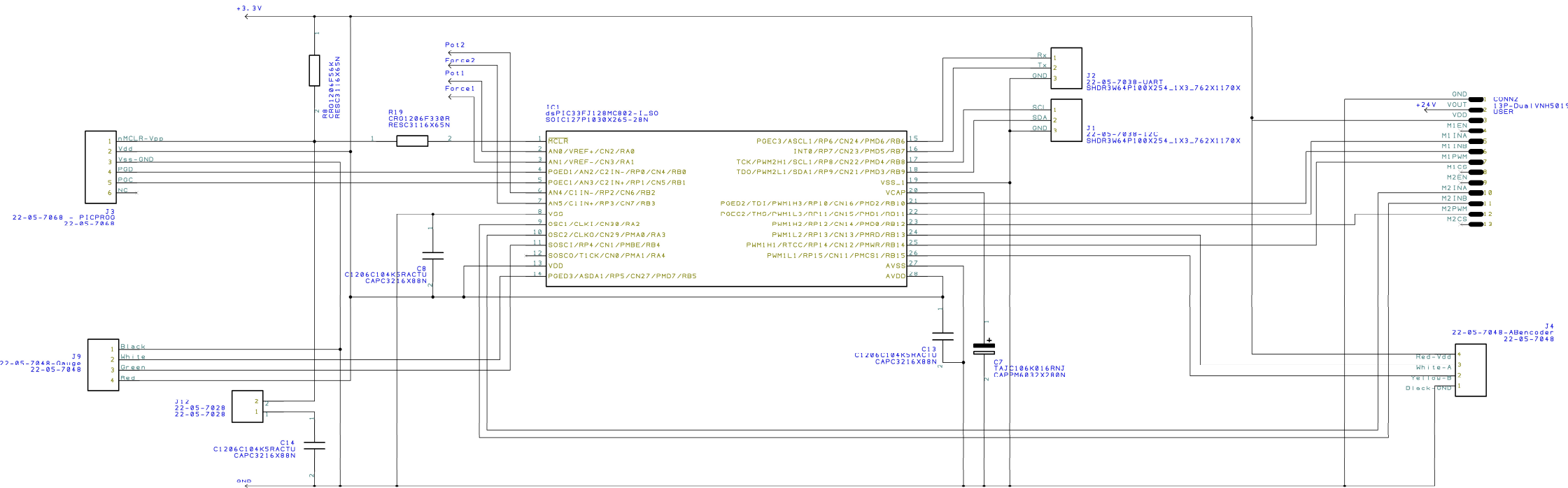


# Dual Control Board – Power Supplies, LEDs



# Dual Control Board – dsPIC33FJ128MC802



# Dual Control Board – INA125U, Potentiometer Input

