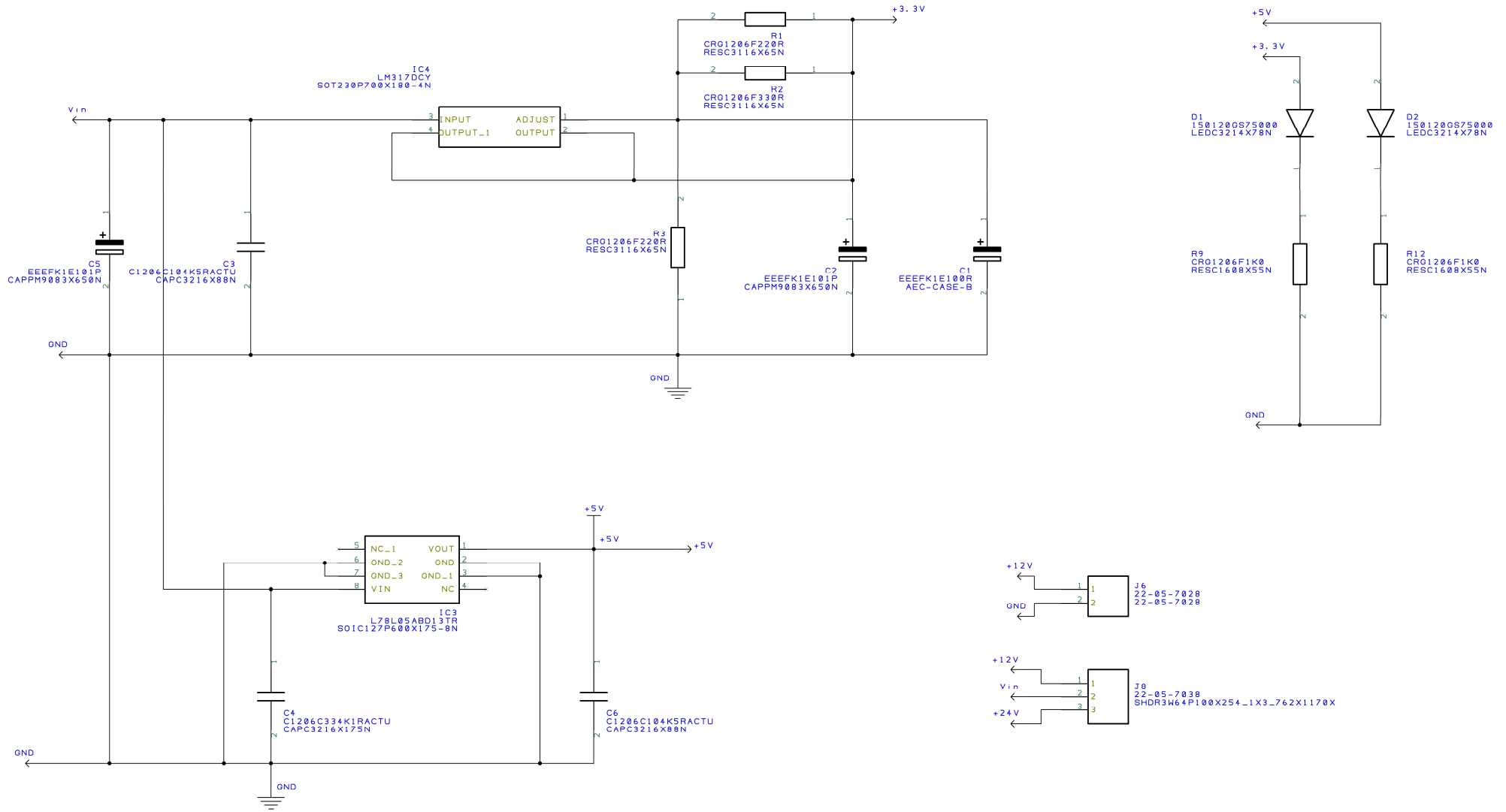
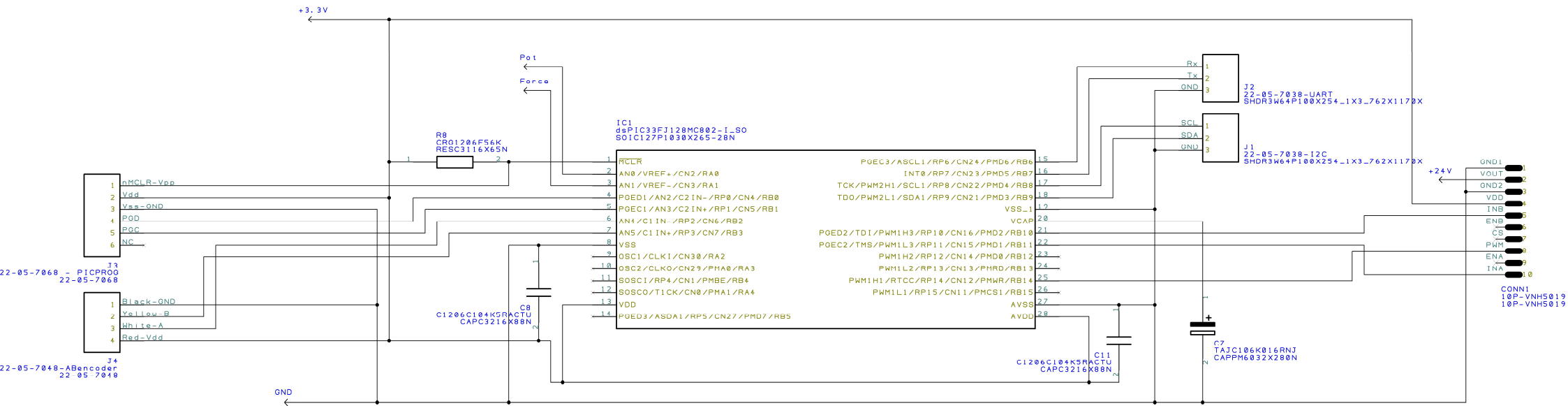


Single Control Board – Power Supplies, LEDs



Single Control Board – dsPIC33FJ128MC802



Single Control Board – INA125U, Potentiometer Input

